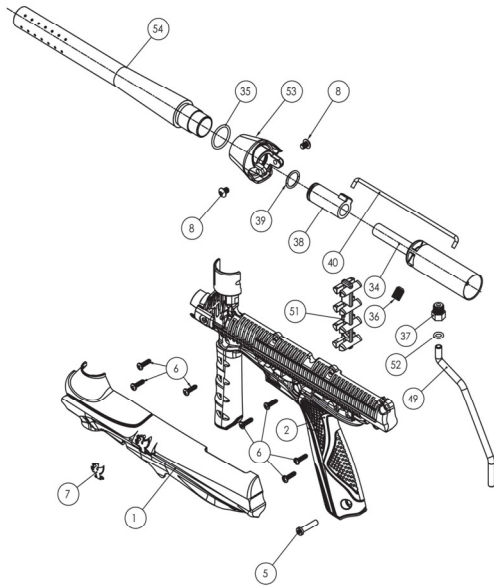


GRYPHON™

Manufactured by

TIPPMANN®
1-800-533-4831
www.tippmann.com

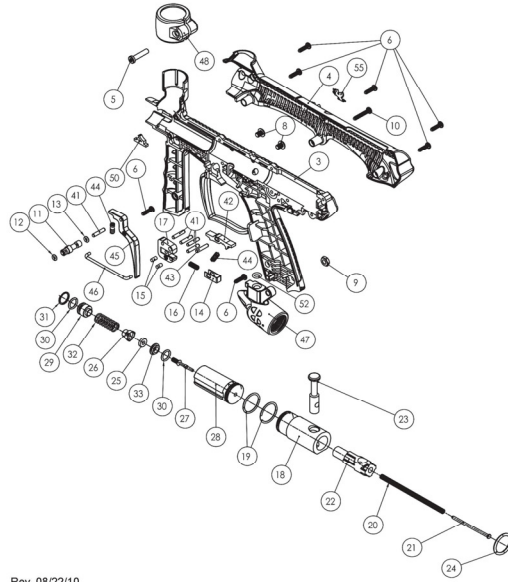


Gryphon Parts List

ITEM	QTY.	PT. NO.	DESCRIPTION
1	TA40003	1	Cover, Left
2	TA40001	1	Receiver, Left
3	TA40002	1	Receiver, Right
4	TA40004	1	Cover, Right
5	TA06015	2	Screw, 10-32 x 0.840" LSHS
6	TA09920	14	Screw, #6 x 12.5mm phillips head self-tap
7	TA40019	1	Logo/Nameplate, Left
8	98-26	4	Screw, 10-32 x .25" BHCS
9	9-PA	1	Nut, 10-32 Hex - Black
10	TA40020	1	Screw, #6 x 21mm phillips head self-tap
11	98-37N	1	Safety Pin
12	98-55	1	O-ring, Red
13	FA-07	1	O-ring, Black
14	98-18	1	Trigger Return slide
15	98-19	2	Dowel Pin, 1/8 x 1/4
16	98-20	1	Spring
17	TA40011	1	Trigger Adapter (Complete Assembly: items #14, 16, and 17)
18	TA40015	1	Rear Bolt
19	98-12A	2	O-ring
20	CA-14	1	Spring
21	CA-15	1	Guide Pin
22	TA05005	1	Rear Bolt Plug
23	TA40014	1	Rear Bolt Handle
24	98-57	1	O-ring
25	PA-28	1	Valve Stem Cup Seal
26	CA-29	1	Valve Stem Cup
27	CA-30N	1	Valve Plunger
28	98-25N	1	Valve Body

⚠ WARNING

Do not disassemble this marker while it is pressurized with air/CO2.
Do not pressurize a partially assembled marker.



Rev. 08/22/10

ITEM	QTY.	PT. NO.	DESCRIPTION
29	98-56	1	Valve Plug
30	SL2-25	2	O-ring
31	PA-31A	1	Snap Ring
32	98-32	1	Spring
33	CA-27	1	Valve Seat
34	98-21N	1	Power Tube
35	02-40	1	O-ring, Barrel
36	02-22	1	Set Screw, 5/16-24 x 7/16
37	TA40018	1	Gas Line Joint (1/8 NPT Plug Nut)
38	02-17	1	Front Bolt
39	SL2-4	1	O-ring
40	TA01016	1	Linkage Arm
41	98-33	5	Dowel Pin, 1/8 x 5/8
42	02-35	1	Seal
43	CA-36	1	Dowel Pin, 1/8 x 5/8 - Black
44	TA40013	2	Spring
45	TA40009	1	Trigger
46	TA10010	1	Trigger Link
47	TA40008	1	Air Supply Adapter (ASA)
48	TA40007	1	Feed Elbow Clamp Ring
49	TA40016	1	Gas Line
50	FA-18	1	Ball Latch
51	TA40005	1	Front Grip Inset Panel
52	TA40017	2	O-ring, Gas Line
53	TA40006	1	Barrel Adapter
54	TA40012	1	Barrel
55	TA40021	1	Logo/Nameplate Right

