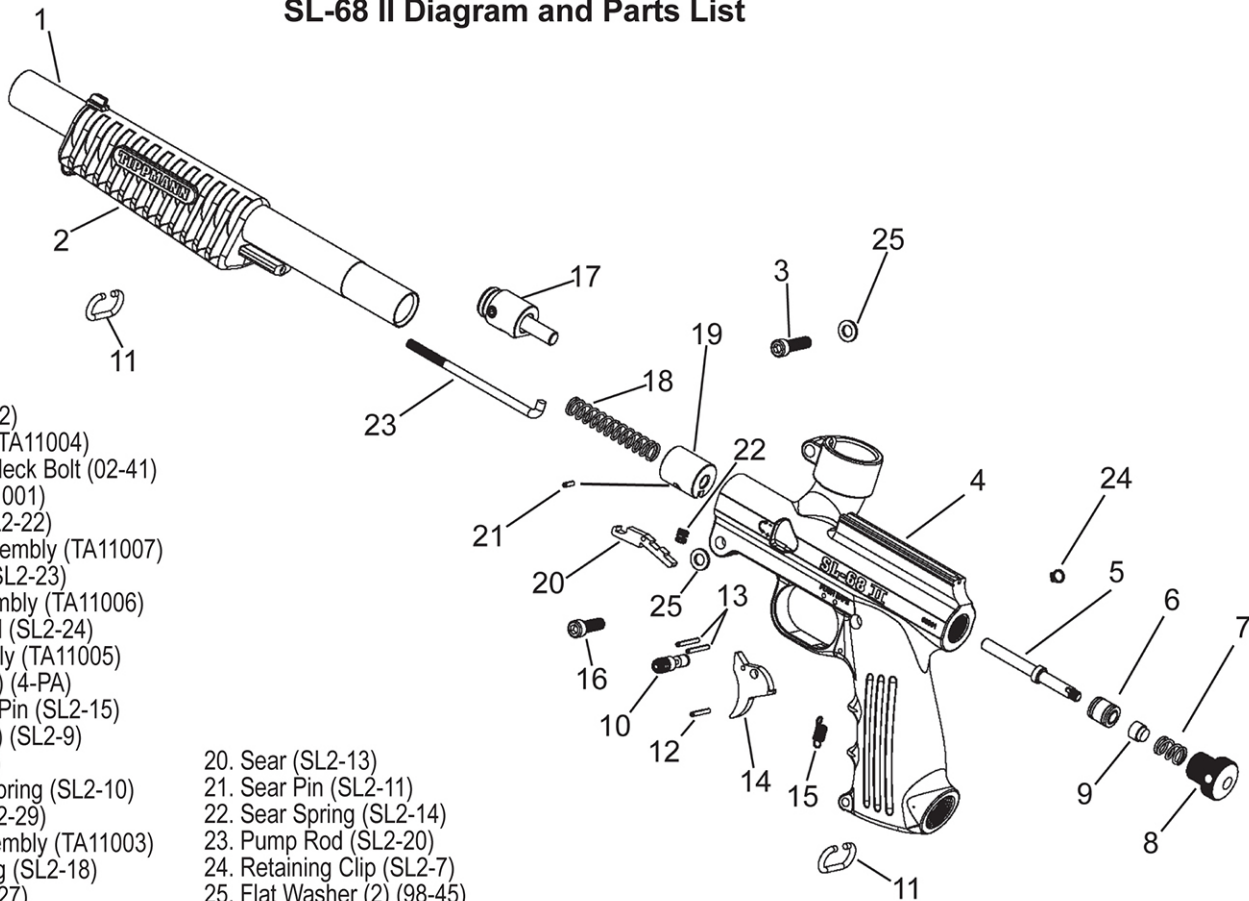


SL-68 II Diagram and Parts List



Parts List

1. Barrel (TA11002)
2. Forearm Grip (TA11004)
3. Hopper Feed Neck Bolt (02-41)
4. Receiver (TA11001)
5. Valve Tube (SL2-22)
6. Valve Seat Assembly (TA11007)
7. Valve Spring (SL2-23)
8. End Cap Assembly (TA11006)
9. Valve Cup Seal (SL2-24)
10. Safety Assembly (TA11005)
11. Sling Swivel (2) (4-PA)
12. Trigger Spring Pin (SL2-15)
13. Trigger Pins (2) (SL2-9)
14. Trigger (SL2-8)
15. Trigger/Sear Spring (SL2-10)
16. Barrel Bolt (SL2-29)
17. Front Bolt Assembly (TA11003)
18. Hammer Spring (SL2-18)
19. Hammer (SL2-27)
20. Sear (SL2-13)
21. Sear Pin (SL2-11)
22. Sear Spring (SL2-14)
23. Pump Rod (SL2-20)
24. Retaining Clip (SL2-7)
25. Flat Washer (2) (98-45)